



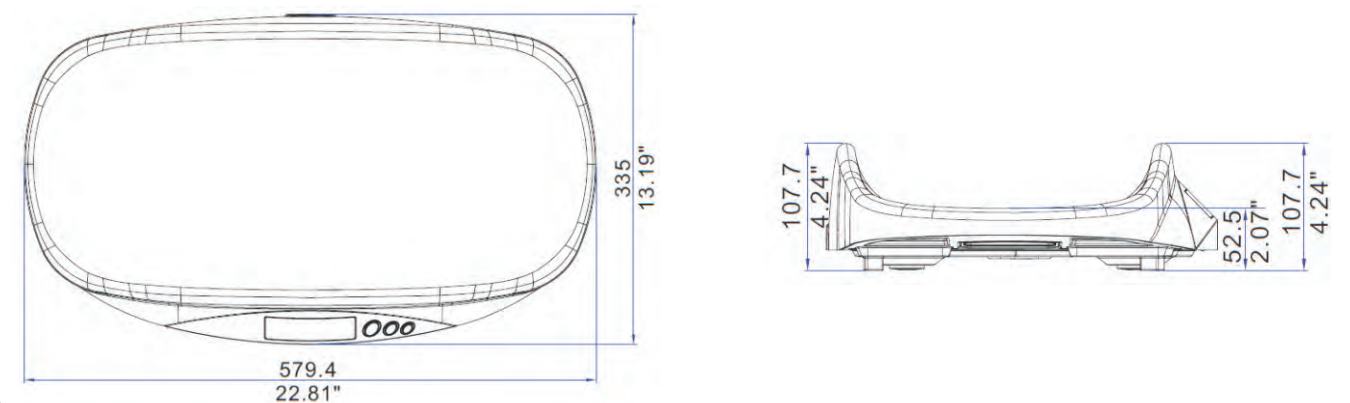
Features

- **Applications:** Hospital, pediatrician's office, clinics and nurseries
- **Load cell:** Four point alum. load cell
- **Construction:** Rugged ABS plastic housing
Detachable baby tray ensures both baby lying down and child standing weighing
Optional built-in measuring tape 0-56cm (0-22")
Scale base constructed with optional AC socket and USB interface
- **Display:** Large and easy-to-read LCD display with blue backlit
3 keys: ON/TARE, MODE, MEM
- **Function:** Weighing, Tare, Auto-lock, Auto power-off
Memory function (save and recall previous weight)
Clock and date function, optional USB serial port

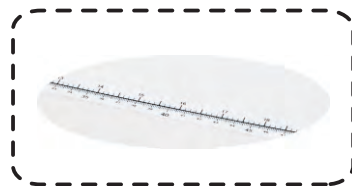
Specifications

Item	Parameters
Model	ECB-H
Capacity	20kgx5g / 44lbx0.25oz
Units of Measure	kg, lb
Display	95mm(L)x34mm(H) LCD display with blue backlit
Power	6V 200mA adapter or 4xAA batteries
Operation Temperature	-10°C to 40°C (14°F to 104°F)
Platform size	579.4mm(L)x335mm(W) / 22.81"(W)x13.19"(L)
Packing size	625x395x410cm/3pcs/ctn G.W.: 9.3kg N.W.: 7.2kg
Approvals	CE and WEEE directive, UL/CE/BS approved power adapter
Optional	Height measuring tape, adapter, USB serial port

Dimensions (mm/inch)



- Large LCD display with blue backlit
- 3 keys for easy operation



- Built-in height measuring tape, range 0-56cm/0-22"



- Large plastic tray gives baby comfortable weighing experience
Tray is detachable for standing weighing of a child