



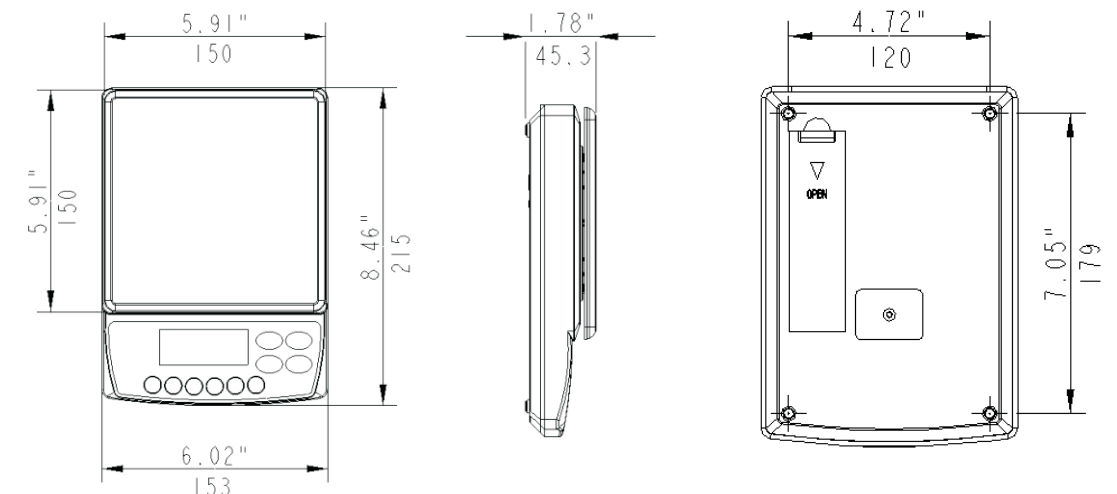
## Features

- **Applications:** Banks, stores
- **Loadcell:** Single point Alum. load cell
- **Construction:** Rugged ABS plastic housing  
ABS plastic weighing platter  
Optional ABS plastic coin tray
- **Indicator:** Large and easy-to-read LCD display  
12 keys: on/off/clear, tare/zero, mode/cal, acc/enter, coin1-coin8
- **Functions:** Weighing, coin counting, auto-off time setting  
4 coin types pre-programmed in software  
8 programmable keys available for different coin values setting  
Enhanced software allow to mix different values of coins counting together

## Specifications

Item	Parameters
Model	EHC-CN
Capacity	2kgx0.5g
Multiple Coin Types	Sterlings, Australia coins, Japanese coins, Botswana coins and programmable coin selection available
Units of Measure	kg, lb, oz
Display	5 ½ digits, 0.6" (15mm) high, 7 segments LCD display
Power	9V 600mA adapter, 4xAA batteries
Operation Temp	-10°C to 40°C (14°F to 104°F)
Platform size	150x150mm / 5.91"x5.91"
Packing Size	630x525x355mm/20pcs/ctn
Shipping Weight:	G.W.: 25kg N.W.: 23kg
Approvals	CE and WEEE directive, UL/CE/BS/VI Energy approved power adapter
Options	ABS coin tray

## Dimensions (mm/inch)



- Easy-to-Read LCD display
- 12 keys including 8 keys for 8 different value of coins, makes it easy to count different coins



- Coin tray (optional) to contain coins together
- 4 coin types pre-programmed in software - Australia coins, British coins, Botswana coins, Japanese coins



- Powered by: 4xAA batteries or AC adapter