



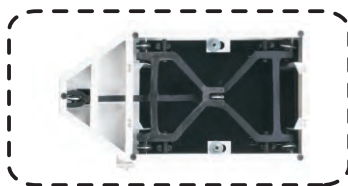
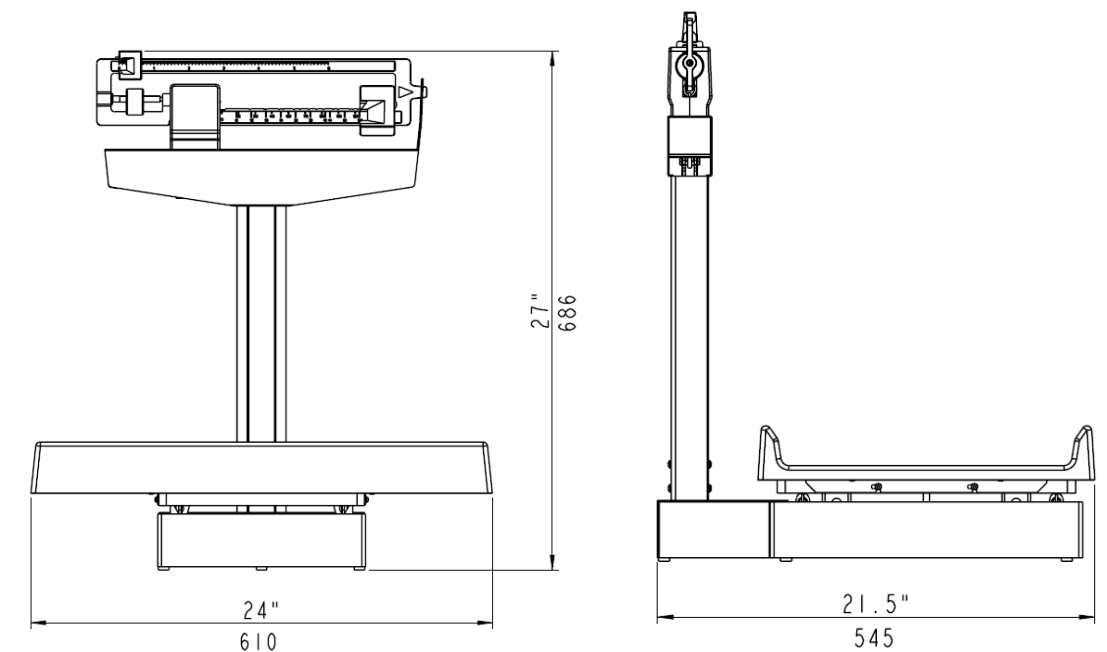
Features

- **Applications:** Clinics, hospitals and nurseries
- **Construction:** Heavy duty steel base ensures long time usage
Precision lever system provides high weighing accuracy
Large and detachable ABS plastic tray allows weighing babies and children
- **Beam:** Dual-reading, die-cast aluminum beam
- **Height tape:** Built-in measuring tape allows user to measure both weight and height simultaneously
Measuring Range: 0-58cm / 0-22.5"

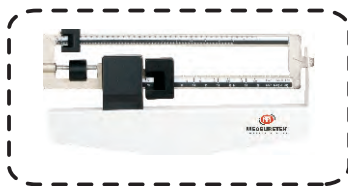
Specifications

Item	Parameters
Model	EL-BS
Capacity	62kgx20g / 135lbx0.25lb
Units of Measure	kg, lb
Tray size	610x420mm / 24"x16.5"
Measuring tape	0 - 58cm / 0 - 22.5"
Packing size	720x500x370mm/1pc/ctn
Shipping Weight	G.W.: 16kg N.W.: 15kg
Approvals	FDA, ISO 13485

Dimensions (mm/inch)



- Rugged metal structure offers years of service
Precise lever mechanism ensures accurate weighing



- Dual-side alloy aluminum beam allows to read the weights from both front and rear sides



- Large plastic tray gives baby comfortable weighing experience
Tray is removable for standing weighing of a child
- Built-in height measuring tape measures baby's height