

PSE BENCH SCALE



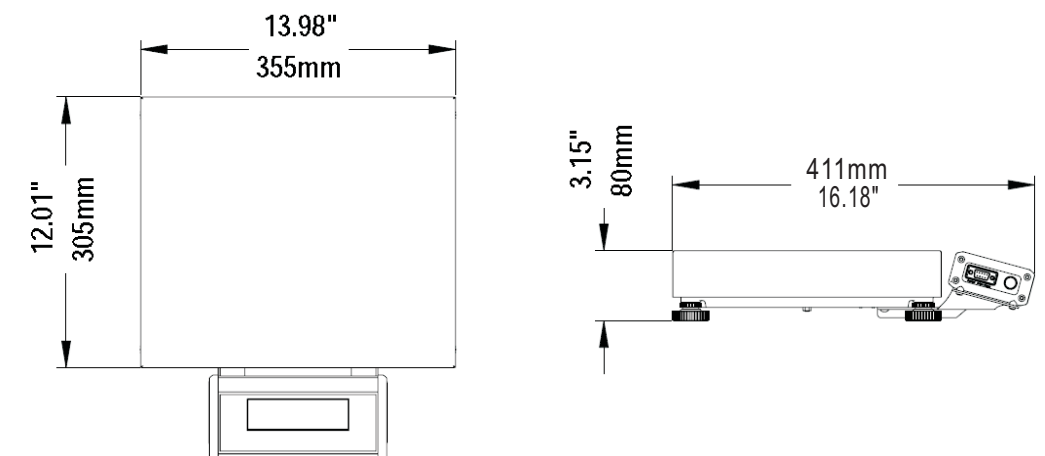
Features

- **Applications:** Legal for Trade application
Shipping/receiving, mail room, manifest systems, legal for trade purpose weighing
- **Loadcell:** Single Alum. load cell
- **Construction:** Rugged cast Alum. base and X-shaped cast Alum. load cell bracket
Removable stainless steel weighing platter for convenient cleaning
Equipped with adjustable feet and leveling bubble for quick set-up and stability
- **Indicator:** Rugged cast Alum. housing
Large FSTN LCD display with backlit, clear to see in any angle of view
6 keys: ZERO/ON/OFF, TARE/PRESET, UNIT/DATA, ACC/TOTAL, PRINT/FUNC, HOLD/SETUP
- **Functions:** Weighing, Tare, Check Weighing, GEO calibration function
Compatible with UPS worldship

Specifications

Item	Parameters		
Model	PSE-15	PSE-30	PSE-60
Capacity	30lbx0.01lb 15kgx0.005kg	70lbx0.02lb 30kgx0.01kg	150lbx0.05lb 60kgx0.02kg
Units of Measure	kg, lb, lb:oz, g, oz		
Display	6 digits, 1" (25mm) high, 7 segments LCD display with backlit		
Serial Port	RS232, USB		
Power	9V 600mA adapter or 4xAA batteries		
Operation Temp	-10°C to 40°C (14°F to 104°F)		
Platform size	305x355mm / 12"x14"		
Packing size	505x465x145mm/1pc/ctn		
Shipping Weight	G.W.: 6kg N.W.: 5kg		
Approvals	NTEP, Measurement Canada, CE and WEEE directive, UL/CE/BS/VI ENERGY approved power adapter		
Options	RS232 cable, USB cable		

Dimensions (mm/inch)



- **NTEP & Measure of Canada** certified indicator
CC #: 15-068 NOA #: AM-5855
- FSTN LCD with backlit, clear to see from any angle of view



- **NTEP & Measure of Canada** certified base
CC #: 15-080 NOA #: AM-5854
- Cast Alum. base offers strong structure but light self-weight, stainless steel platform can be removable for easy clean



- RS232 & USB ports provides PC or other devices connectivity
- Compatible with **UPS Worldship**